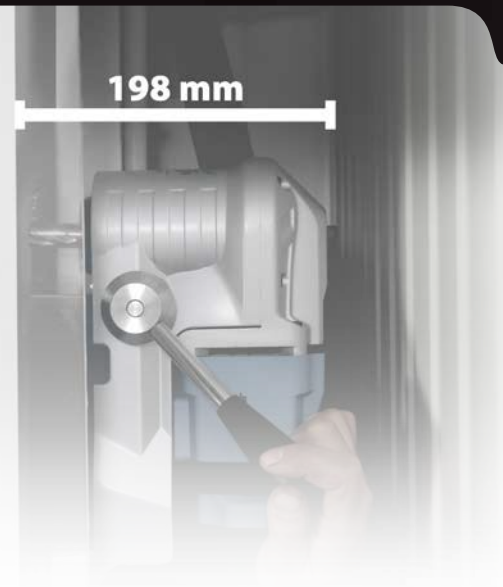


MAGPRO 35 KOMPAKT

For workspaces that were previously considered unreachable.

Scope of delivery: Security tape, chip protection, carry case



Our smallest

- Low dimensions enable working areas that were previously considered unreachable
- Maximum height of the machine 198 mm
- Core drilling up to \varnothing 35 mm (30 mm length)
- Quick release system with Weldon 19 mm shank
- Control lever can be used gradually on both sides
- Good balance for carrying
- LED light for work in dark spaces

Technical specifications

Power input	1.100 W
Voltage	230 V / 50 Hz
No load / full load speed	650 / 390 min ⁻¹
Capacity \varnothing x depth	35 mm x 30 mm
Shank	19 mm Weldon
Magnetic adhesion	15.000 N
Magnetic surface	165 x 80 mm
Dimensions	285 x 101 x 198
Net weight	10 kg

Description	Reference
Magpro 35 kompakt - delivery in a carry case quick release chuck, lashing strap and tools	490050

Optional accessories	Reference
HSS-Co core drill set 30 mm \varnothing 12, 14, 16, 18, 20, 22 + pilot pin	490145
Carbide tipped core drill 30 mm \varnothing 1x12,1x14,1x16,1x18, 1x20, 1x22 + pilot pin	490148
„Goldfinger“ core drill set TiN-coated 30 mm \varnothing 12,14,16,18,20,22 + pilot pin	490145TiN
HSS-Co core drill set \varnothing 9/16", 5/8", 11/16", 3/4", 13/16", 15/16" x 1 + ejector pin	490145IN
Twist drill set 6-11 mm Weldon 19 mm	490400Set
High performance cutting oil spray for optimal cooling and higher cutting performance (400 ml)	490020
Magnetic chip collector	490153



Twist drill set 6-11 mm Weldon 19 mm



LED light for dark work areas



Control lever can be used gradually on both sides



Balanced wearing comfort